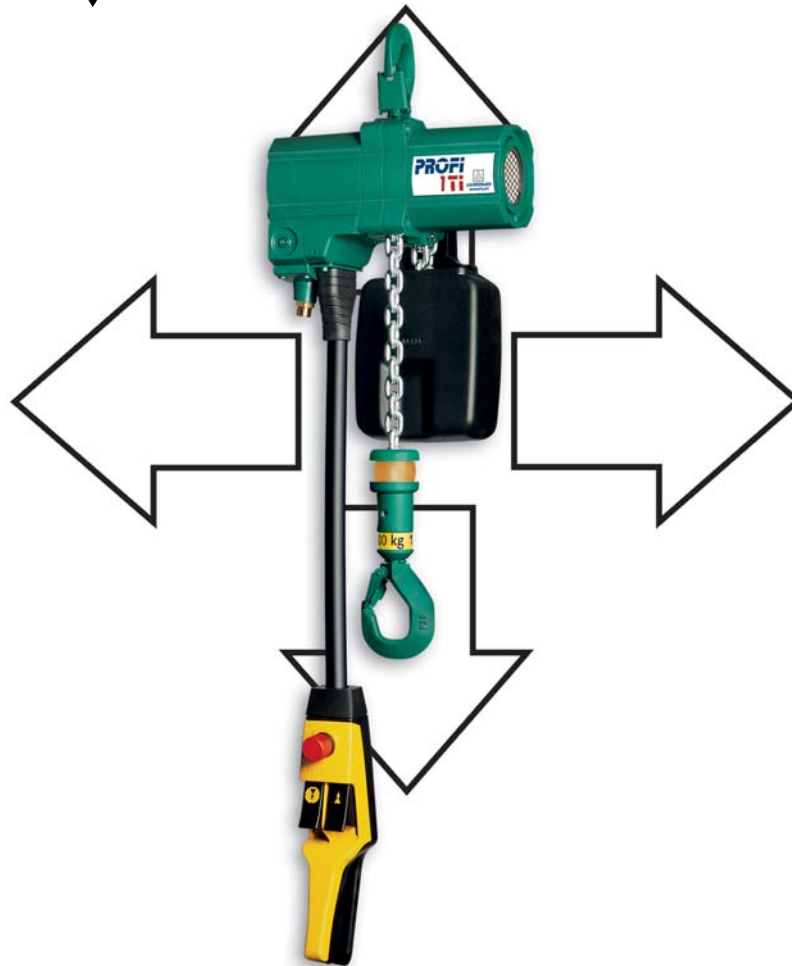


# JDN AIR HOISTS PROFI TI

TECHNICAL EXCELLENCE IN A COMPACT FORMAT.



The new  
**PROFI**

**PROFI 025 TI**<sup>®</sup>  
**PROFI 05 TI**<sup>®</sup>  
**PROFI 1 TI**<sup>®</sup>  
**PROFI 2 TI**<sup>®</sup>

Lifting capacities  
250 kg up to 2 t  
Air pressure 4 bar  
or 6 bar

## THE ADVANTAGES AT A GLANCE

### ▶ WITH SAFETY IN MIND

Integrated main air emergency-stop valve.  
With overload protection from 1 t and above.

### ▶ GREATER EFFICIENCY

Due to higher lifting speeds.  
Driving mechanism classification M4 (1 Am) up to M5 (2m) i.e.  
800 – 1600 hours at full load. Also suitable for horizontal pulling  
due to the compact construction. Lifting and lowering speeds can  
be regulated sensitively. Favourable combination with the new  
JDN motor trolley LM 2 t.

### ▶ OIL-FREE OPERATION

Due to patented, permanent motor lubrication during operation,  
using a high-performance grease.

### ▶ PATENTED MOTOR-BRAKE SYSTEM

For low-maintenance and low-wear operation, based on the proven  
systems in the JDN ranges, mini and PROFI 3 TI up to 20 TI.

### ▶ 100 % DUTY RATING – LESS DOWNTIME

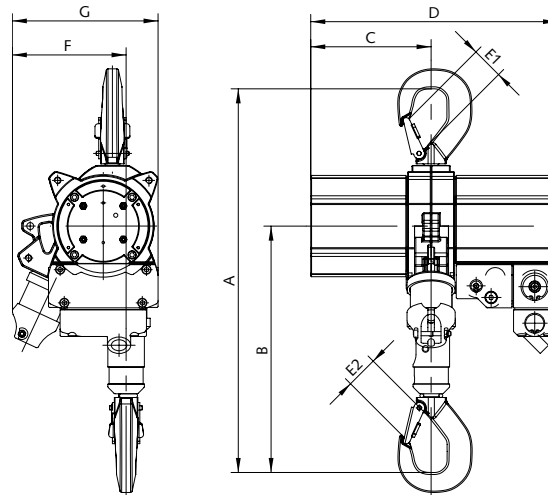
### ▶ Ex Classification according to EC Directive on Hazardous Locations 94/9/EEC (ATEX 100a)

Standard version: Ⓜ II 2 GD IIA T4(X)/ II 3 GD IIB T4(X)  
With increased spark protection: Ⓜ II 2 GD IIC T4(X)



**J. D. NEUHAUS**  
powered by air!

# TECHNICAL DATA FOR JDN AIR HOISTS PROFI TI



Type	025 TI		05 TI		1 TI		2 TI	
Air pressure	bar		4	6	4	6	4	6
Lifting capacity	t		0.16	0.25	0.32	0.5	0.63	1
Number of chain strands	1		1		1		2	
Engine output	kW		0.6	1.0	0.6	1.0	0.6	1.0
Lifting speed at full load	m/min		20	20	10	11	5	5.5
Lifting speed without load	m/min		37.5	42	16	19	10	11
Lowering speed at full load	m/min		38	38	17	17	10	11
Air consumption at full load – lifting	m <sup>3</sup> /min		0.7	1.2	0.7	1.2	0.7	1.2
Air consumption at full load – lowering	m <sup>3</sup> /min		0.8	1.5	0.8	1.5	0.8	1.5
Air connection	G 1/2		G 1/2		G 1/2		G 1/2	
Hose dimension (Ø inside)	mm		13		13		13	
Weight at standard lift, rope control	kg		27	27	27	27	27.5 <sup>2</sup>	28 <sup>2</sup>
Chain dimension	mm		7 x 21		7 x 21		7 x 21	
Weight of 1 m chain	kg		1.0		1.0		1.0	
Standard lift	m		3		3		3	
Length of control at standard lift	m		2		2		2	
Sound level at full load <sup>1</sup> – lifting	dB(A)		73	74	74	75	74	76
Sound level at full load <sup>1</sup> – lowering	dB(A)		77	78	77	78	77	78
<b>Dimensions in mm</b>	<b>025 TI</b>		<b>05 TI</b>		<b>1 TI</b>		<b>2 TI</b>	
A smallest headroom <sup>3</sup>	450		450		450		498	
B	288		288		288		336	
C	145		145		145		145	
D	297		297		297		297	
E1	28		28		28		28	
E2	28		28		28		28	
F up to hook center	137		137		137		137	
G biggest width	176		176		176		183	

<sup>1</sup>measured in 1 m distance acc. to DIN 45635 part 20

<sup>2</sup>with overload protection

<sup>3</sup>chain containers increase the headroom

**PROFI TI** is a registered trademark of our company.  
T 234 GB • Issue: August 2005 • Alterations reserved • 820051

J.D. Neuhaus GmbH & Co. KG\_D-58449 Witten-Heven  
Phone: +49 2302 208-0 Fax: +49 2302 208-286  
web site: www.jdn.de e-mail: info@jdn.de



**J. D. NEUHAUS**  
powered by air!