

JDN MINI MANIPULATOR

CARRYING CAPACITIES 125 KG AND 250 KG



NEW

THE ADVANTAGES AT A GLANCE

- Precise positioning and variable lifting/lowering speeds by sensitive direct control.
- One-hand operation for lifting, lowering and feeding of loads.
- In connection with manual trolley also manually traversing.
- Low weight for comfortable handling.
- High lifting speeds for efficient moving of loads.

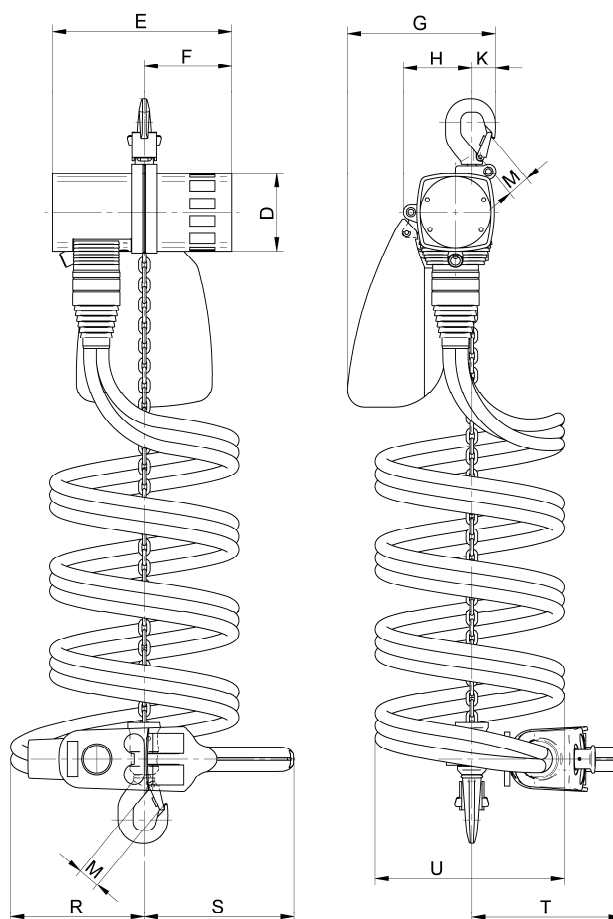


J. D. NEUHAUS
powered by air!

TECHNICAL DATA JDN MINI MANIPULATOR

Type		mini 125	mini 250
Carrying capacity	kg	125	250
Number of chain strands		1	1
Engine output	kW	0,4	0,4
Lifting speed at full load	m/min	15	8
Lifting speed without load	m/min	40	20
Lowering speed at full load	m/min	30	16
Lowering speed without load	m/min	24	12
Air consumption at full load - Lifting	m ³ /min	0,5	0,5
Air consumption at full load - Lowering	m ³ /min	0,7	0,7
Air connection		G 3/8	G 3/8
Hose dimension (Ø inside)	mm	9	9
Weight at 3 m standard lift / 2 m control length	kg	9,5	10,5
Chain dimension	mm	4 x 12	4 x 12
Weight of 1 m chain	kg	0,35	0,35
Height of lifts	m	3 / 5 / 8	

Dimensions in mm	mini 125	mini 250
D	92	92
E	213	213
F	104	104
G	177	177
H	83	83
K	29	29
M	19	19
R	160	160
S	250	250
T	190	190
U	195	195



Issue: February 2006 • Alterations reserved

J.D. Neuhaus GmbH & CO. KG_D-58449 Witten-Heven
 Phone: +49(0)2302-208-0_Fax: +49(0)2302-208-286
 web site: www.jdn.de_e-mail: info@jdn.de



J.D. NEUHAUS
 powered by air!